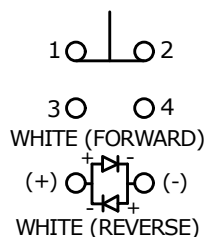
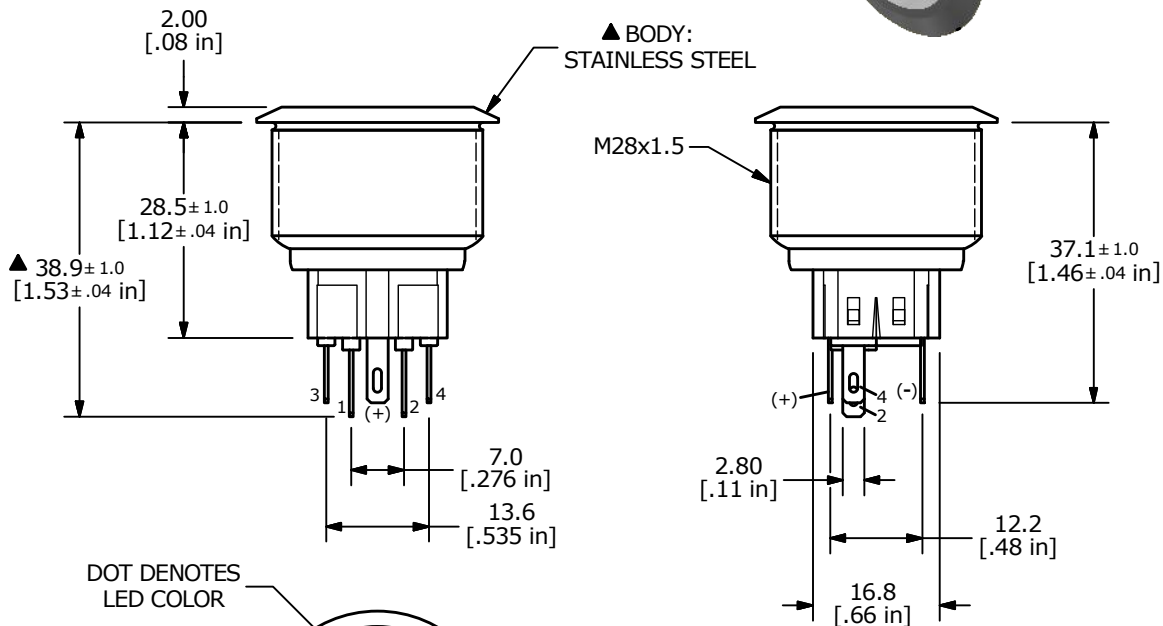


▲ SWITCH FUNCTION

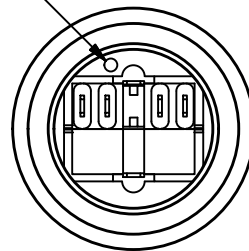
POS. 1	POS. 2
1-2 ON 3-4 OFF	1-2 (OFF) 3-4 (ON)



▲ SPDT ON-(OFF) / OFF-(ON)
 CONTACT CONFIGURATION
 () DENOTES MOMENTARY FUNCTION



DOT DENOTES
 LED COLOR



NOTE:

- ALL DIMENSIONS IN MM [INCH]
- GENERAL TOLERANCE: X.X = ± 0.4
X.XX = ± 0.25
- TERMINAL NOS. FOR REF. ONLY
- RATING: 2A @ 48VDC
- CONTACT RESISTANCE: 50mΩ MAX. @ 1A 12VDC
- INSULATION RESISTANCE: 1,000MΩ @ 500VDC
- DIELECTRIC STRENGTH: 2,000VAC MIN. FOR 1 MINUTE
- ELECTRICAL LIFE: 50,000 CYCLES
- OPERATING TEMPERATURE: -20°C TO 55°C
- INGRESS PROTECTION: IP66
- SUPPLIED HARDWARE: O-RING AND HEXNUT
- ▲ DENOTES CRITICAL PARAMETER
- ▲ ILLUMINATION VOLTAGE: 2.8V



B	23840	UPDATED RATING TO IP66	4/8/19	MJR
A	22692	NEW RELEASE	1/24/17	MJR
REV	PCR NO	DESCRIPTION	DATE	BY

TITLE PV9F2Y0SS-301				
SCALE 1:1	DATE 1/24/2017	DR MJR	DWG 52-PV9F2Y0SS301	REV B